

AR 30

Operation weight:
2,150 kg

Power:
24.6 kW (33.0 HP)

Shovel capacity:
0.32 - 0.45 m³



 **Weycor**
BY ATLAS WEYHAUSEN

AR 30

COMPACT AND AGILE WITH IMPRESSIVE INNER VALUES.

weycor wheel loaders are more than the sum of their parts. They reflect true passion, a fascination with technology and 'Made in Germany' quality.

The AR 30 has compact dimensions and a small turning circle. It's perfect for horticulture, landscape gardening and agriculture applications, or on small construction sites.

The 'small' AR 30 has all the inner values that people appreciate in weycor wheel loaders: stability, long lifespan and impressive performance data.

Reflecting ATLAS Weyhausen's philosophy of always focusing on the optimum solution, the AR 30 has technical highlights that are generally exclusive to larger wheel loaders.



WEYCOR: POWERFUL, PRECISE, RELIABLE.



LATEST KINEMATICS TECHNOLOGY

The proven and tested weycor kinematics with its exceptional tear-out force and excellent lifting heights. The tapered loading rocker makes sure you can always keep an eye on the attachment.



EASY MAINTENANCE

Low-maintenance and quick, easy servicing is achieved by central, consolidated, easy-to-reach service points.



HYDRAULIC QUICK-CHANGE ATTACHMENT

By allowing you to change the wheel loader's attachments in a few seconds, it turns the vehicle into an all-rounder.



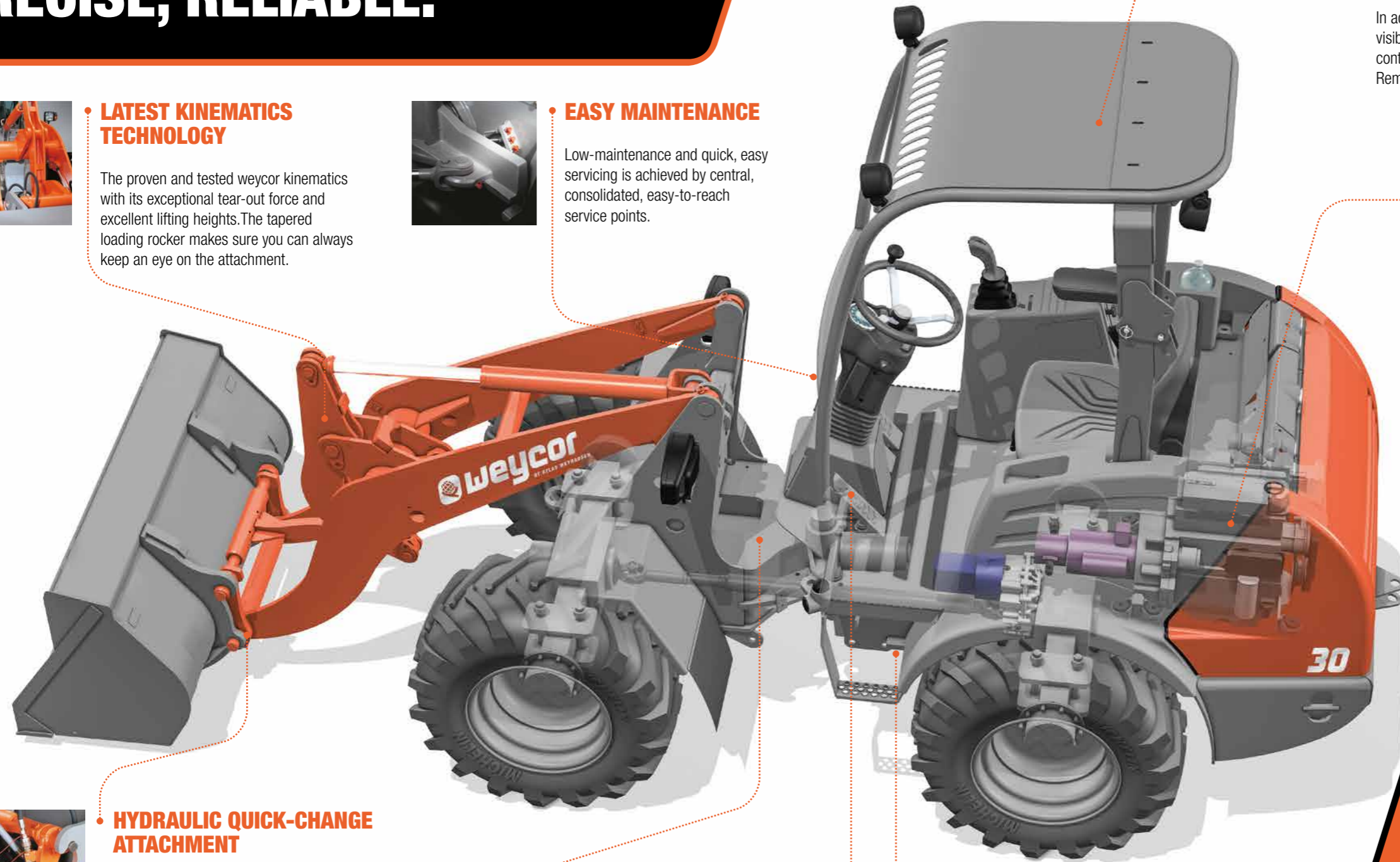
ARTICULATED PENDULUM JOINT

Provides for excellent maneuverability and crosscountry mobility. Even on challenging terrain, the low center of gravity ensures exceptional stability.



SEPARATE INCHING PEDAL

Less wear & tear and fuel consumption: In contrast to the conventional combined brake/inching pedal, with the separate inching pedal, the risk of inadvertently activating the main brake while you drive is eliminated.



AGRAR CABIN

In addition to the excellent circumferential visibility in the wheel loader, its clearly arranged controls and its ergonomic design. Removable FOPS roof and foldable ROPS bar.

POWERFUL DRIVE UNIT

weycor wheel loaders are equipped with state-of-the-art engines which combine high power reserves for challenging operations with up-to-date low emission values.



PERKINS ENGINE 403D-15 INDUSTRIAL

The 400 Series engine family continues to set standards in the compact engine range. Developed alongside customers to fulfil their needs in the construction, materials handling and agricultural/turf markets. Built to the most demanding standards, the 400D engines meet all the requirements of the off-highway emissions legislation for TIER 4. The noise levels have been kept to a minimum, product design and process improvements enhance both engine reliability and durability.

LOW CENTER OF GRAVITY

Thanks to their low center of gravity, weycor wheel loaders are secured against tipping, even under extreme circumstances.

AR30

TECHNICAL DATA

ENGINE

| | |
|--------------------------|---|
| Make | Perkins Diesel engine 403D-15 |
| Type | water cooled |
| Power*** | set to 24.6 kW (33.0 HP) at 2,800 min ⁻¹ |
| Max. torque | 96 Nm at 1,800 min ⁻¹ |
| Stroke | 1,496 cm ³ |
| Cylinders | 3 in line |

ELECTRICAL SYSTEM

| | |
|--------------------------------|---------------|
| Operating voltage | 12 V |
| Battery | 12 V / 66 Ah |
| Alternator | 14 V / 65 A |
| Starter | 12 V / 2.0 kW |

DRIVE

- Output-regulated hydrostatic drive with pressure cut off and closed circuit acting on all 4 wheels
- Speed with standard tires: Operating speed range 0-6.5 km/h Road speed range 0-20 km/h
- 1st and 2nd hydraulic gear can be engaged under load, forward/backward travel also
- Forward/backward travel, speed ranges and off-position operational via weycor joystick
- Drive operated by accelerator and separate inching pedal for best distribution of the hydraulic power for thrust and lifting forces

BRAKES

Standard brake: Multi-disc brake in oil bath acting on all 4 wheels. Supplementary brake functions via inching pedal and hydrostatic drive acting on all 4 wheels.

Parking brake: Drum brake via funicular link acting on all 4 wheels with engine switch off.

AXLES

Rigid axles with planetary reduction gears in wheel hubs. Limited-slip differential lock in front axle.

STEERING

- Fully hydraulic center pivot steering
- Front and rear wheels follow the same track
- Steering angle of 40° to each side, ±12° angular movement at rear of vehicle
- Operating pressure of steering hydraulics 145 bar
- Emergency steering function

TIRES

Standard: 10.0/75-15.3 MPT – Multi-purpose tires for sand and gravel surface, woodland, roads and paths

Special tires: 11.5/80-15.3 MPT – Multi-purpose tires for sand and gravel surface, woodland, roads and paths

12-16.5 MT – Construction machine tires for soft surfaces, asphaltting, roads, gardening and landscaping

31x15.5 15E – Multi-purpose tires for earth moving machines, particularly surface friendly

15.5/55 R18 – Multi-purpose tires for earth moving machines, particularly surface friendly, gardening and landscaping

More special tires upon request

HYDRAULIC SYSTEM

- Gear pump for loading and steering hydraulics
- Priority valve favoring steering hydraulics
- 3rd steering section for loading hydraulics mechanically controlled by weycor joystick, including float position
- Operating pressure 230 bar, Delivery of pump 31 l/min

LOADING EQUIPMENT

- Powerful and solid Z-kinematics with high tear out force
- Hydraulic quick change device
- Activation of all functions by weycor joystick
- Automatic mid position of joystick
- Parallel movement while using pallet forks
- Automatic shovel return to excavation position
- Locking device acc. to German StVZO for road travel

Lifting 5.0 s

Lowering 3.5 s

Tipping 1.0 s

FUEL/OIL CAPACITIES

| | |
|---------------------|-----------|
| Diesel..... | 58 Liter |
| Hydraulic oil..... | 28 Liter |
| Engine oil | 3 Liter |
| Front axle | 4 Liter |
| Rear axle..... | 4.9 Liter |
| Gear oil | 0.4 Liter |
| Cooling liquid..... | 6 Liter |

STANDARD EQUIPMENT

INCLUSIVE

- weycor canopy cabin with roll-bar protection and FOPS roof.
- Activation of all functions by weycor joystick
- Control lights for speed range, forward/backward travel
- Working lights front and rear
- Individually adjustable driver's seat
- Control lights for engine oil pressure, overheating, hydraulic oil temperature, battery power, parking brake, air filter
- Central dashboard with indicators for preheating, working hour meter

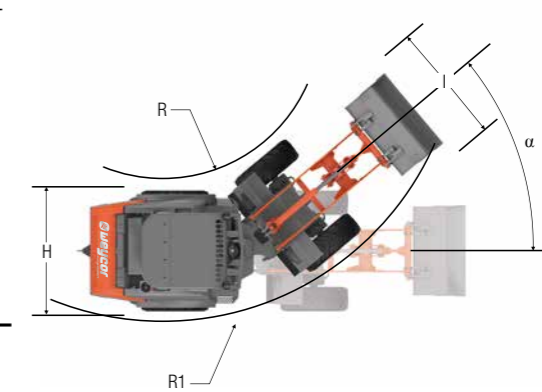
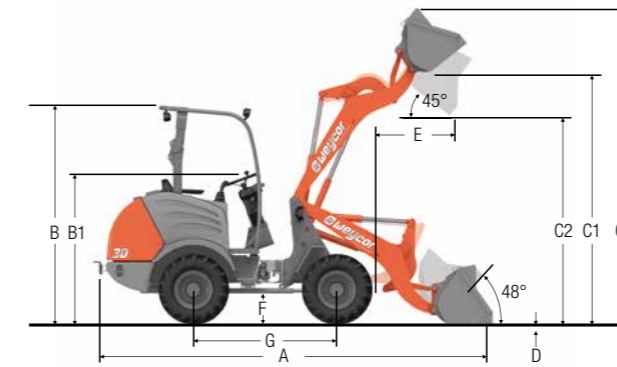
OPTIONS

TECHNICAL OPTIONS

- 4th section front or rear
- Main battery switch
- Special paintings and oils
- Cyclone dust separator
- Lights acc. to German StVZO for road travel
- Trailer coupling
- Rear driving mirrors, foldable
- Anti-theft-device with code stick
- Warning beacon
- Pressure keeping valves

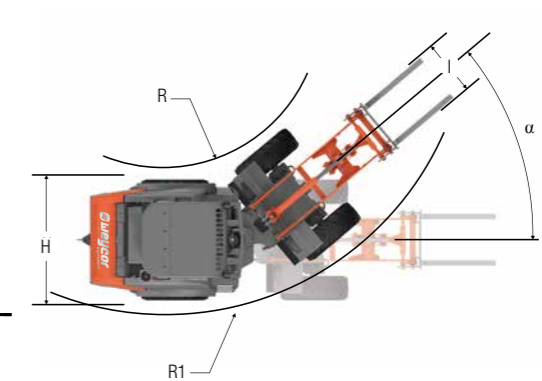
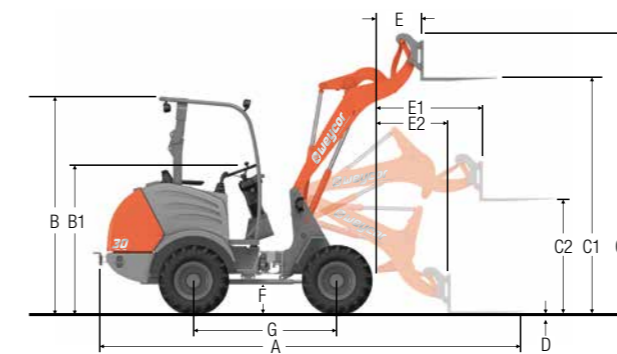
More options upon request

TECHNICAL DATA AR 30 WITH STANDARD SHOVEL



| | |
|----|-----------|
| A | 4,240 mm |
| B | 2,366 mm |
| B1 | 1,630 mm |
| B2 | 2,340 mm* |
| C | 3,340 mm |
| C1 | 2,800 mm |
| C2 | 2,300 mm |
| D | 55 mm |
| E | 595 mm |
| F | 350 mm |
| G | 1,580 mm |
| H | 1,250 mm |
| I | 1,250 mm |
| R | 1,558 mm |
| R1 | 2,804 mm |
| α | 40° |

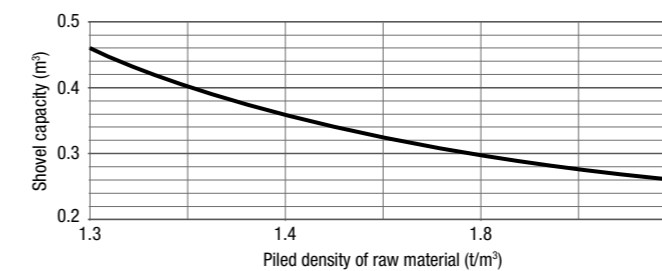
TECHNICAL DATA AR 30 WITH PALLET FORKS



| | |
|----|-----------|
| A | 4,730 mm |
| B | 2,366 mm |
| B1 | 1,630 mm |
| B2 | 2,340 mm* |
| C | 3,010 mm |
| C1 | 2,550 mm |
| C2 | 1,130 mm |
| D | 145 mm |
| E | 300 mm |
| E1 | 1,010 mm |
| E2 | 680 mm |
| F | 350 mm |
| G | 1,580 mm |
| H | 1,250 mm |
| I | 1,030 mm |
| R | 1,558 mm |
| R1 | 2,804 mm |
| α | 40° |

* Cab Version

DIAGRAM FOR SHOVEL SELECTION



SPECIFIC GRAVITY FOR MATERIAL HANDLING WEIGHT (t/m³)

| Construction | Industry | |
|---------------------------|---------------------------------|------------------------------|
| concrete.....1.9 | ember.....0.7 | phosphate fertiliser.....2.2 |
| soil (dry).....1.5 | brown coal briquette.....0.8 | turf (watery).....1.1 |
| soil (watery).....2.0 | ferrous product.....7.8 | turf (dry).....0.4 |
| rock (fill).....2.4 | iron ore.....2.3 | mineral fertiliser.....1.0 |
| granite.....1.8 | cullet.....1.9 | |
| limestone.....1.6 | gas coke.....0.4 | |
| gravel (dry).....1.9 | timber.....0.8 | |
| gravel (watery).....2.1 | mineral coal.....1.2 | |
| loam.....1.7 | paper.....0.9 | |
| plaster.....2.2 | slag.....1.0 | |
| sand (dry).....1.9 | slag concrete.....2.7 | |
| sand (watery).....2.1 | | |
| sandstone.....2.4 | Landscaping, Agriculture | |
| shale.....2.2 | agricultural crop.....0.7 | |
| sediment.....2.1 | grain.....0.6 | |
| crushed stone.....1.5 | hay.....0.3 | |
| de-icing salt.....1.3 | potash.....1.1 | |
| clay.....1.6 | compost.....1.0 | |
| cement.....1.7 | flour.....0.5 | |
| clinker (stacked).....1.8 | clay (watery).....2.3 | |

OPERATING DATA

| | |
|------------------------------------|---------------------|
| Shovel capacity acc. to SAE | 0.32 m ³ |
| Track width | 1,061 mm |
| Turning radius (outer shovel edge) | 3,161 mm |
| Tear out force | 2,430 daN |
| Torque | 1,900 daN |
| Tipping load, straight | 1,318 kg |
| Tipping load, articulated | 1,165 kg |
| Lifting capacity at ground level | 1,700 daN |
| Service weight | 2,150 kg |

Differing data for use of pallet forks (500 mm distance to center of gravity)*

| | |
|----------------------------------|-----------|
| Static tipping load, articulated | 871 kg |
| Lifting capacity | 1,200 daN |
| Payload 80% even surface** | 697 kg |
| Payload 60% uneven surface*** | 523 kg |

Sound level

| | |
|---|----------------------------|
| Average acoustic power-level L _{WA} ⁽¹⁾ | 100.1 dB(A) |
| Guaranteed acoustic power-level L _{WA} ⁽²⁾ | 101.0 dB(A) |
| Sound pressure level L _{pA} ⁽³⁾ | 83.0 dB(A) |
| Specific vibration-data Hand- / arm- / bodyvibration ⁽⁴⁾ | < 2.5/0.5 m/s ² |

* Travel with load only permitted close to the ground.
 ** According to ISO 8313 and EN 474-3. *** According to ISO 14396, EU RL97/68/EC. (1) According to 2000/14/EG & appendixes. (2) According to 2000/14/EG & appendixes. (3) According to ISO 6396. (4) According to ISO 8041.



You can find our current product range and more exciting details at: **www.products.weycor.de**

Under our policy of continuous improvement, we reserve the right to change specifications and design without prior notice, errors expected. The technical data refer only to the standard version, illustrations do not necessarily show the standard version of the machine. Not all products are available in all markets.

weycor is a brand of ATLAS WEYHAUSEN GMBH.

ATLAS WEYHAUSEN GMBH · D - 27793 Wildeshausen
Phone +49 (0) 44 31 - 98 10 · info@weycor.de · www.weycor.de

 **weycor**
BY ATLAS WEYHAUSEN