

## AC 08B

AC 08B MINI-SIZED EXCAVATOR



**ATLAS KOMPAKT**

**ATLAS KOMPAKT GmbH**

Stedinger Strasse 324, 27751 Delmenhorst, Germany

Tel.: +49 (0) 4221 491330; Fax: +49 (0) 4221 491331

E-mail: [info@atlas-kompakt.com](mailto:info@atlas-kompakt.com)

[www.atlas-kompakt.com](http://www.atlas-kompakt.com)

Please read the manual book and maintenance book before operation, changes are periodically added to the information, and ATLAS KOMPACT may change the products or services described in this book at any time without announcement. All rights of this manual book reserve to ATLAS KOMPACT. ATLAS KOMPACT Internal Use Only.  
AC EN 2017-08

Ref. no.: 8400637

**Engine netpower: 7.2kW**

**Machine weight: 1010kg**

AC08B is a compact mini-sized excavator applied in narrow spaces, featuring high reliability, easy operations, and excellent protection for the driver. It will become your excellent partner.



### Fops/Tops

The standard tiltable/foldable protection cage conforms to the EU Fops/Tops safety certification requirements to safeguard the driver. This protection cage features better trafficability after being folded.

### Yanmar engine

Trustworthy on compact equipment, this engine features low noise, low vibration, and easy maintenances for main parts.



### Telescopic chassis

Controlled by simple single joystick, the chassis width can be retracted to 750mm to adapt to narrow spaces. On the contrary, the chassis width can be extended to 1,000mm to improve the stability by 15% and even allow the use of hydraulic breaking hammer.

With simple rotating shaft, the dozer blade is capable of rapid folding.



With the chassis retracted to 750mm, the AC08B can drive through most narrow door openings successfully for operations indoors.



## Quick change device

It can allow the removal and installation of various buckets and attachments in a time-saving and rapid manner.



## Working device pipeline

The transitional connection is applied for all working pipelines at the boom root to ease repairs and replacement and all exposed pipelines vulnerable to collision or scratch are protected by steel sleeves to effectively prolong the life.



## Hoisting points

3 hoisting points are provided for direct hoisting and transport by a crane, featuring high safety and simplicity.



## Pilot control for working device

The hydraulic pilot control is firstly applied for the working device, featuring better accuracy and smoothness.



Slewing mechanism

Concealed self-retracting seat belt

High-grade aluminum pedal plate

## Large maintenance space

The tiltable engine hood allows the exposure of most engine area to ease the repairs.



- A** Water tank filler port    **D** Starter motor    **G** Oil return filter element    **J** Fuel filter
- B** Air filter    **E** Expansion tank    **H** Battery    **K** Engine oil filler port
- C** Alternator    **F** Oil suction filter element    **I** pressure measurement    **L** Fuel filler port

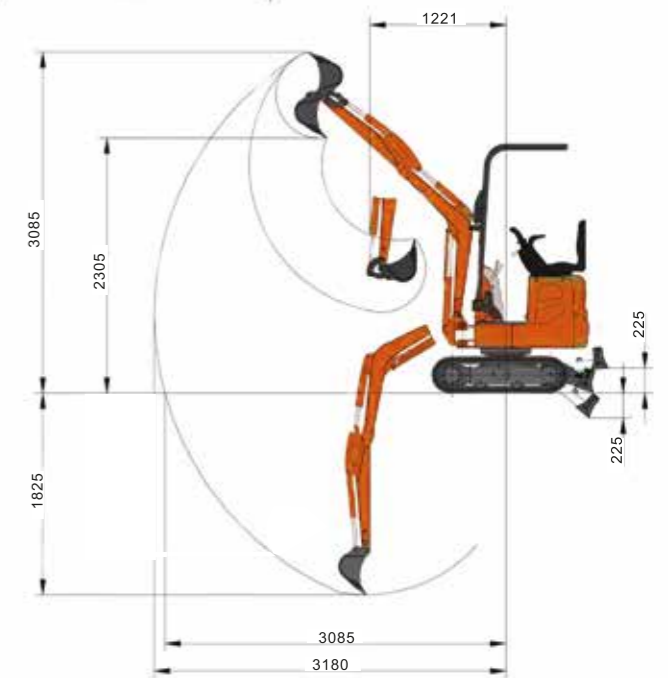
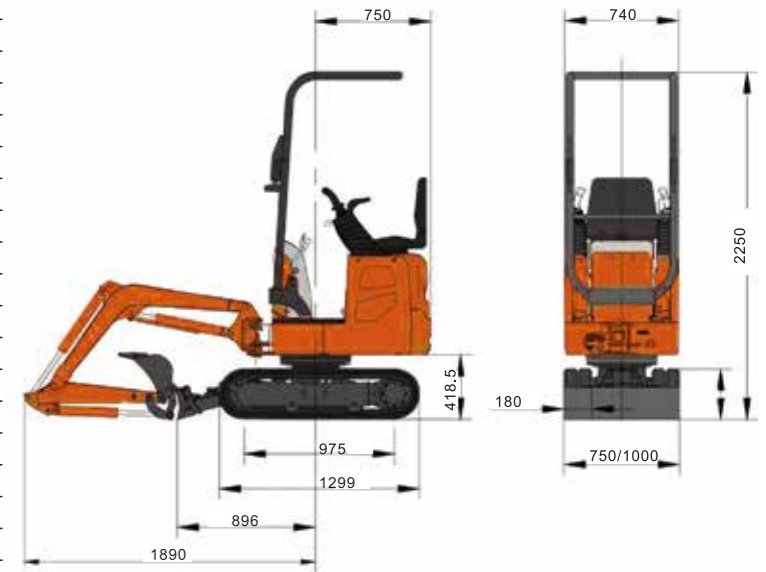
## Centralized grease injection



## External centralized pressure measurement connector

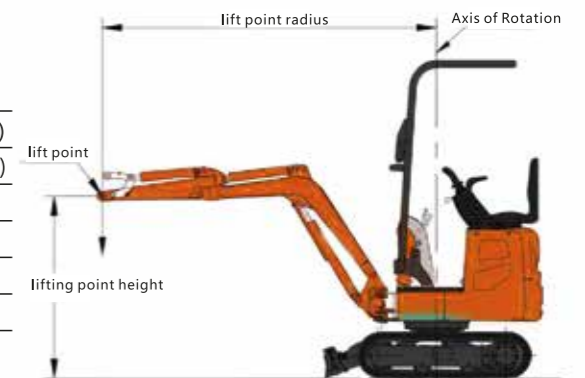


AC08B Technical Parameters			
Type of cab	Open cab		
Bucket capacity, std.	m <sup>3</sup>	0.022	
Bucket width	mm	320	
Machine weight	kg	1010	
Dimensions	Overall length	mm	2640
	Overall height	mm	2250
	Overall width	mm	750
	Ground clearance	mm	131
Engine	Brand	Yanmar	
	Model	2TNV70-PSU	
	Displacement	L	0.57
	Output	kW/rpm	7.2/2400
Working ranges	Max cutting height	mm	3085
	Max loading height	mm	2305
	Max digging depth	mm	1825
	Max digging reach	mm	3180
	Boom swing angle ( left/right )	°	73/53
	Front swing radius	mm	1221
	Tail swing radius	mm	750
	Max digging force ( Arm )	kN	5.8
	Max digging force ( Bucket )	kN	9.4
Track	Type	Rubber crawler	
	Rubber shoe Width	mm	180
	Track Length	mm	1299
Undercarrige	Length to center of Rollers	mm	975
	Length to center of track	mm	560/820
	Travelling speed ( High/Low )	km/h	2.9/1.5
	Gradeability	deg	30
Swing speed	rpm	8.2	
Ground pressure	kpa	24.5	
Dozer size	Width	mm	750/1000
	Height	mm	190
	Lifting capacity ( Height/Depth )	mm	225/225
Hydraulic pumps	Type	3 Gear pump	
	Flow rate	L/min	3*9.6
	Hydraulic pressure	Mpa	2*16
Swing motor	Cycloidal motor		
Travel motor	2-speed ram motor		
Fuel tank capacity	L	10	
Hydraulic oil tank capacity	L	9.5	



## Load Capability:

Lift Point Height	Lift Point Radius(MAX)		Lift Point Radius(2.0m)		Lift Point Radius(1.0m)	
	Over-front(kg)	Over-side(kg)	Over-front(kg)	Over-side(kg)	Over-front(kg)	Over-side(kg)
2.0m	119.60*	86.6	129.20*	107.30	-	-
1.0m	157.90*	61.9	100.50*	94.90	416.40*	264.00
0.0m	196.20*	70.1	224.90*	86.60	445.10*	202.20
-1.0m	205.80*	127.9	-	-	287.10*	243.40



## Notes:

- Load with \* is limited by hydraulic capacity and based on ISO 10567. Rated loads do not exceed 87% of hydraulic capacity.
- Load without \* is limited by tipping load and based on ISO 10567. Rated loads do not exceed 75% of tipping capacity.
- The excavator bucket, hook, sling and other lifting accessories are not included in this table.